

Fire and Smoke Spring-return Damper Actuator

3Nm ON/OFF

SA3FU24-DS/DST SA3FU230-DS/DST

For operation of air control dampers in HVAC system.

Torque: 3Nm

Nominal voltage: AC/DC 24V, AC 100-240V

Control: ON/OFF

-DST type include SAF72 thermal sensor



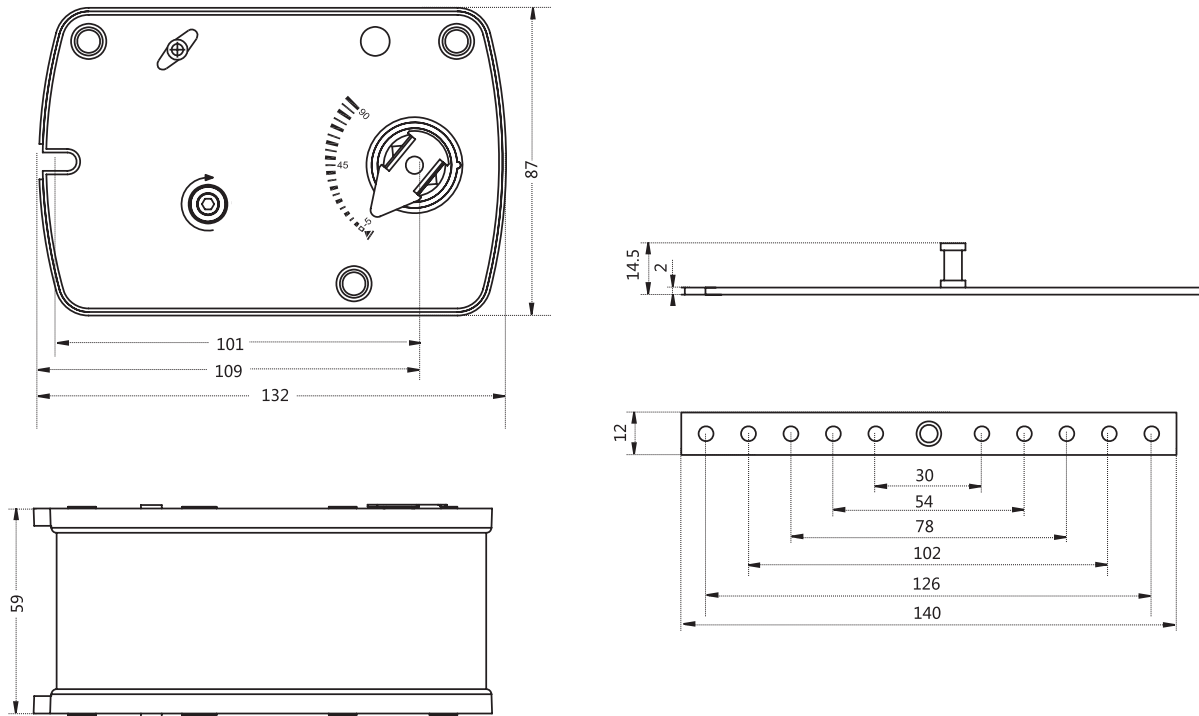
Model Selection Table

Torque	Running Time	Power Supply	Auxiliary Switch	SAF72 Thermal Sensor	Model/Type
3Nm	<75S/<25S	AC/DC 24V	2-SPDT	None	SA3FU24-DS
				Yes	SA3FU24-DST
		AC 100-240V		None	SA3FU230-DS
				Yes	SA3FU230-DST

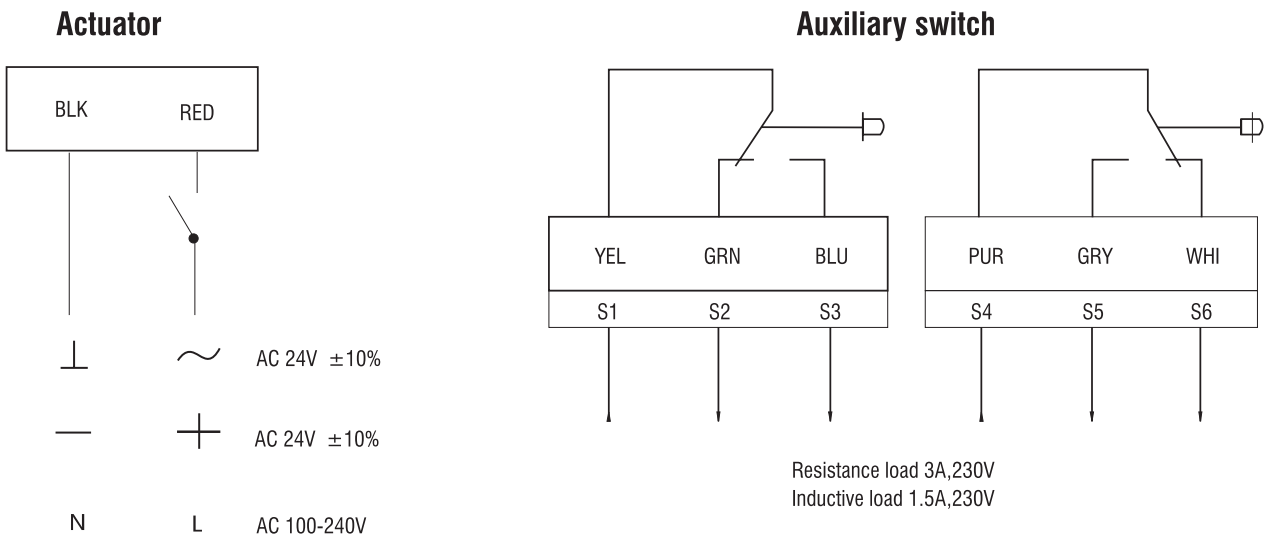
Technical specification

	SA3FU24-DS/DST	SA3FU230-DS/DST
Electrical data		
Nominal voltage	AC/DC 24V 50/60Hz	AC 100-240V 50/60Hz
Nominal voltage range	AC/DC 19.2...28.8V	AC85...265V
Power consumption	5W@Nominal toque/3W@holding	5W@Nominal toque/3W@holding
Wire sizing	0.5m ²	
Function data		
Torque	3Nm	
Damper size	0.6m ²	
Direction of rotation	Selected by mounting L/R	
Manual override	Yes	
Angle of rotation	Max95°	
Running time	<75S/<25S(Spring reset)	
Sound power level	45dB	
Position indication	Mechanical	
Working/conditions		
Protection class	III (safety low voltage)	II (totally insulated)
Protection level	IP54	
Ambient temperature	-20...+50°C /IEC 721-3-3	
Inventory temperature	-30...+80°C /IEC 721-3-2	
Humidity test	95%RH,non condensing(EN60730-1)	
Dimensions/Weight		
Dimensions(L×W×H)	See"Dimensions"	
Shaft length	> 90mm	
Shaft diameter	12×12mm □ Can provide 8 x 8 , 10 x 10 shaft sleeve	
Weight	< 1.3kg	

Actuator Dimensions(mm)



Wiring Diagram



Thermal Sensor SAF72

Thermal Sensor SAF72 Consist of both Ambient(TS1) and Duct sensor(TS2). TS1 will trip open when the ambient temperature rise above 72°. TS2 will trip open when the duct temperature rise above 72°.

