

Fire and Smoke Spring-return Damper Actuator

10Nm/15Nm/20Nm ON/OFF

SA10FU24-DS/DST
SA10FU230-DS/DST
SA15FU24-DS/DST
SA15FU230-DS/DST
SA20FU24-DS/DST
SA20FU230-DS/DST

For operation of air control dampers in HVAC system.

Torque: 10Nm/15Nm/20Nm

Nominal voltage: AC/DC 24V, AC 100-240V

Control: ON/OFF

-DST type include SAF72 thermal sensor

Model Selection Table

Torque	Running Time	Power Supply	Auxiliary Switch	SAF72 Thermal Sensor	Model/Type
10Nm	<100S/<25S	AC/DC 24V	2-SPDT	None or Yes	SA10FU24-DS/DST
		AC 100-240V			SA10FU230-DS/DST
15Nm	<150S/<25S	AC/DC 24V		None or Yes	SA15FU24-DS/DST
		AC 100-240V			SA15FU230-DS/DST
20Nm	<180S/<30S	AC/DC 24V		None or Yes	SA20FU24-DS/DST
		AC 100-240V			SA20FU230-DS/DST

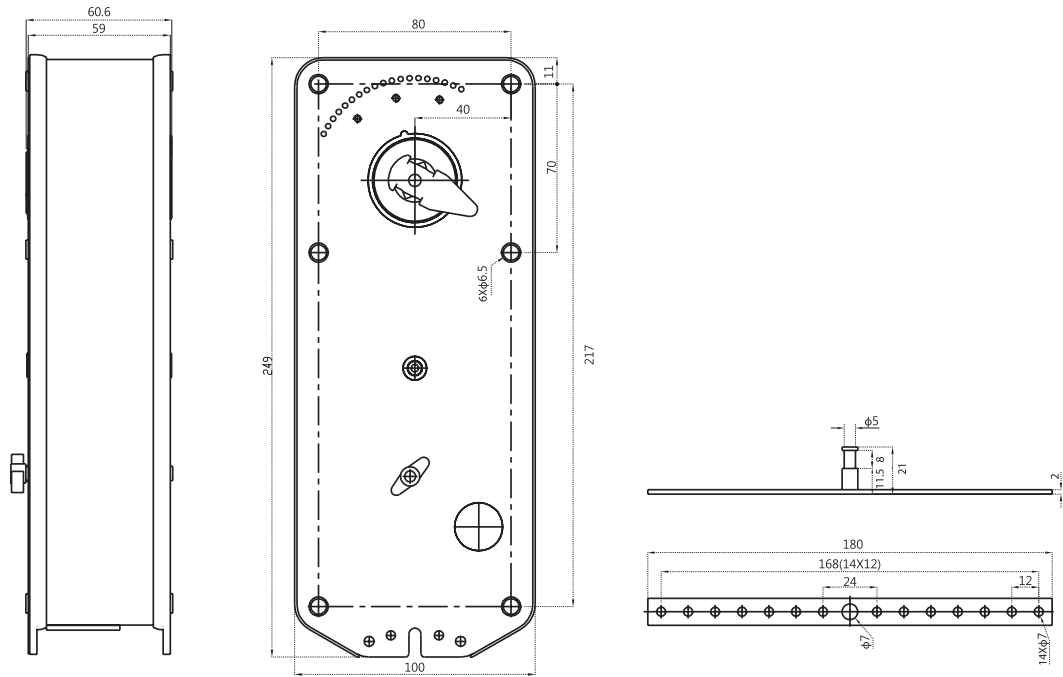
Technical specification

	SA10/15/20FU24-DS/DST	SA10/15/20FU230-DS/DST
Electrical data		
Nominal voltage	AC/DC24V 50/60Hz	AC 100-240V 50/60Hz
Nominal voltage range	AC/DC 19.2...28.8V	AC85...265V
Power consumption	5W/7W@Nominal toque3W/2W@holding	5W8W@Nominal toque3W/2.5W@holding
Wire sizing	0.5m ²	
Function data		
Torque	10Nm/15Nm/20Nm	
Damper size	1.5m ² /3m ² /4m ²	
Direction of rotation	Selected by mounting L/R	
Manual override	Yes	
Angle of rotation	Max95°	
Running time	<100S/<150S/<180S, <25S/<25S/30S(Spring reset)	
Sound power level	<45dB	
Position indication	Mechanical	
Working/conditions		
Protection class	III (safety low voltage)	II (totally insulated)
Protection level	IP54	
Ambient temperature	-20... +50°C /IEC 721-3-3	
Inventory temperature	-30... +80°C /IEC 721-3-2	
Humidity test	95%RH,non condensing(EN60730-1)	
Dimensions/Weight		
Dimensions(L×W×H)	See"Dimensions"	
Shaft length	> 90mm	
Shaft diameter	12×12mm □ Can provide 8 x 8 ,10 x 10 shaft sleeve	
Weight	<2.3kg(SA10FU)/<2.6Kg(SA15/20FU)	

44
45

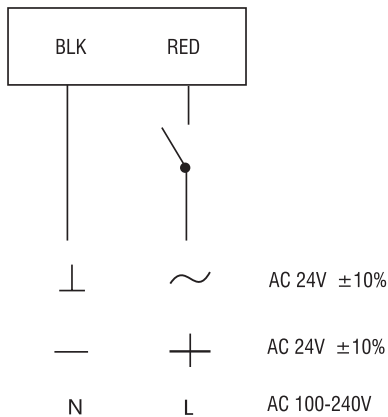


Actuator Dimensions(mm)

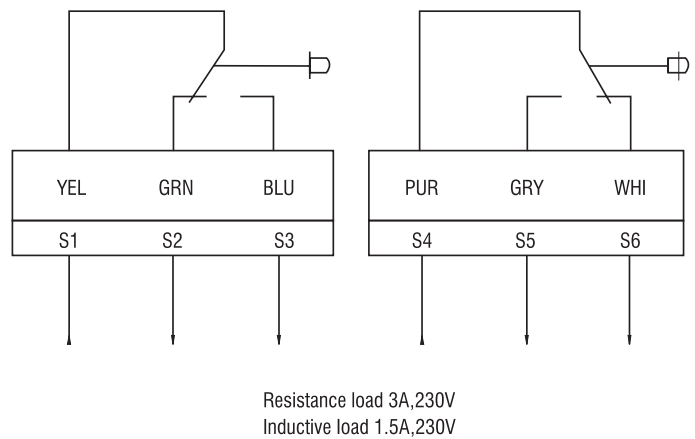


Wiring Diagram

Actuator



Auxiliary switch



Thermal Sensor SAF72

Thermal Sensor SAF72 Consist of both Ambient(TS1) and Duct sensor(TS2). TS1 will trip open when the ambient temperature rise above 72°. TS2 will trip open when the duct temperature rise above 72°.

